

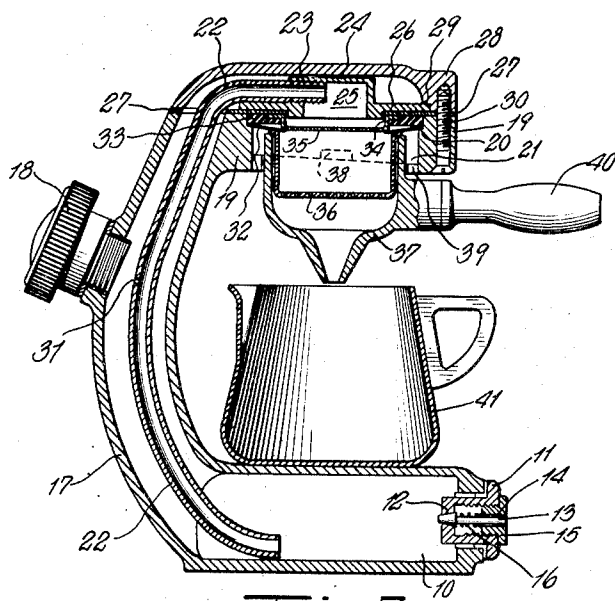
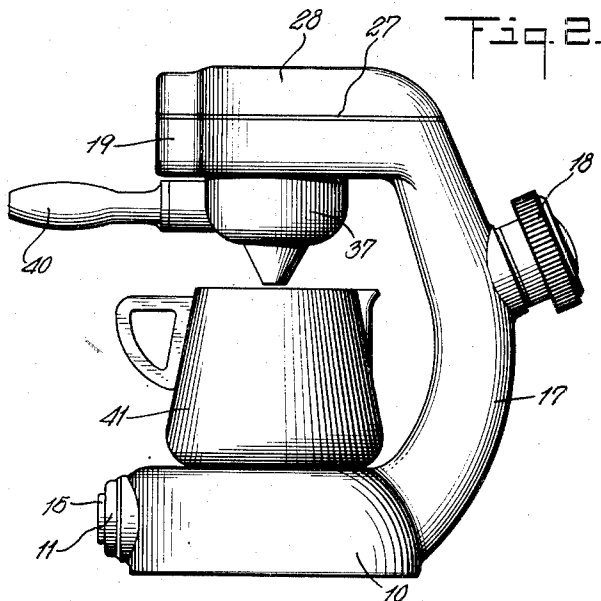
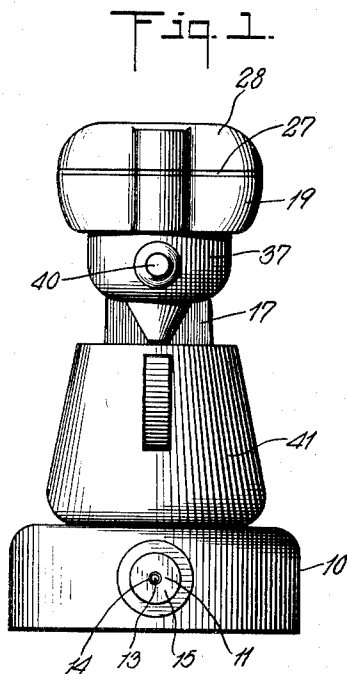
April 17, 1951

G. ROBIATI

2,549,132

COFFEE MAKER

Filed June 26, 1947



INVENTOR.  
*Giordano Robbiati*  
BY  
*John R. Seymour*  
ATTORNEY